



# ***A1800 Ultra High Speed***

**ROBOT PALLETIZER**

- Ultra High Speed*
- High Load Capacity*
- Wide Operation Range*
- Low Noise Level*
- Energy Efficient*
- Environmentally Friendly*

# A1800 Robot Palletizer

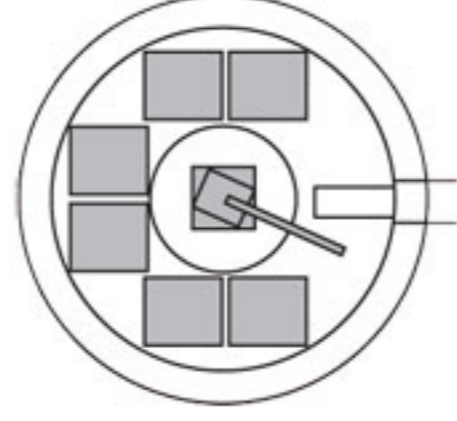


## Heavy Loads At High Speed

The weight of the robot arm was reduced & the rigidity was improved with the latest technology. As a result, a capacity of **1800 cycles/hour** can be achieved. Its maximum load capacity of **140kg**, combined with its high speed, makes it one of the best choices for robot palletizers.

## Palletizing to Max of 6 Pallets

With up to **360° of movement** on its rotational axis, a single A1800 can palletize to a maximum of **6 pallets**.



## Safety

The A1800 includes the new "Collision Detection" feature. Sensors on the robot arm detect minor impacts on the end effector & stop the system immediately. It enhances the safety aspects of the robot palletizer system immensely.

## Energy Saving & Low Noise Design

We utilize a self-developed control mechanism to attain higher power & speed, while maintaining the same level of power consumption.

## Environmentally Friendly

Our robot's components comply to stringent environmental standards & are environmentally friendly.



## Robot Controller - Improved Safety & User Friendliness

### Touch Screen

A large & full colour LCD touch panel enables easy operation.

### Compact

Our servo amp (self developed) is compact & consumes minimal energy.

### Real Time Monitoring

The control panel can be connected to any Local Area Network (LAN) for monitoring of the robot status in real time (optional).

### Teaching Flexibility

Our application software "OXPA-Qm2" is easy & fast to use to create palletizing programs for a wide range of products.

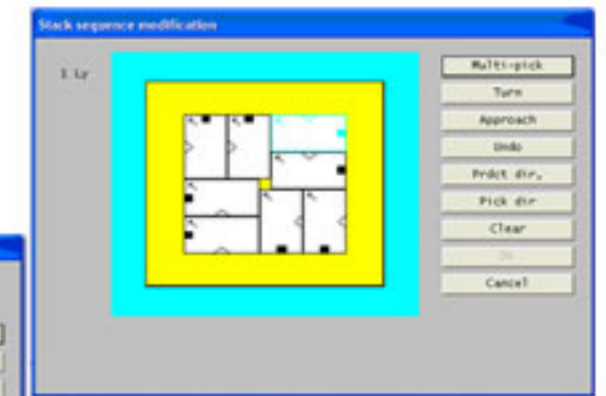
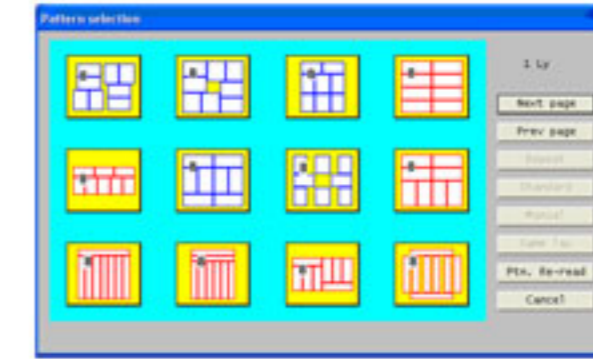
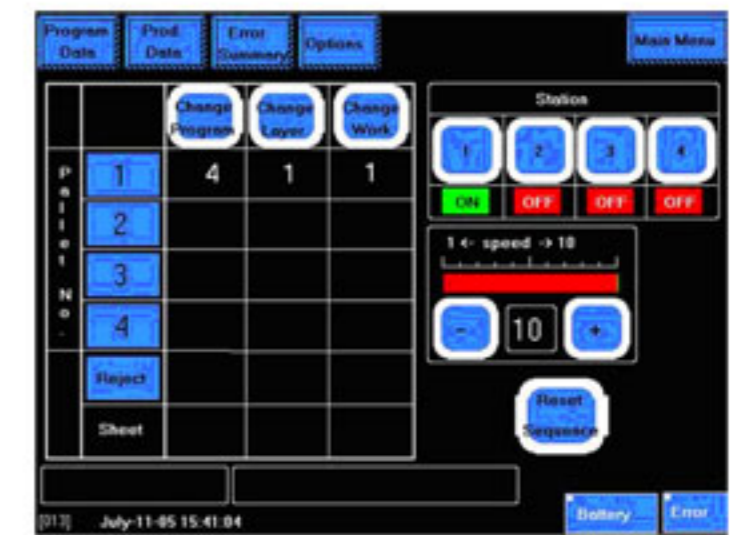
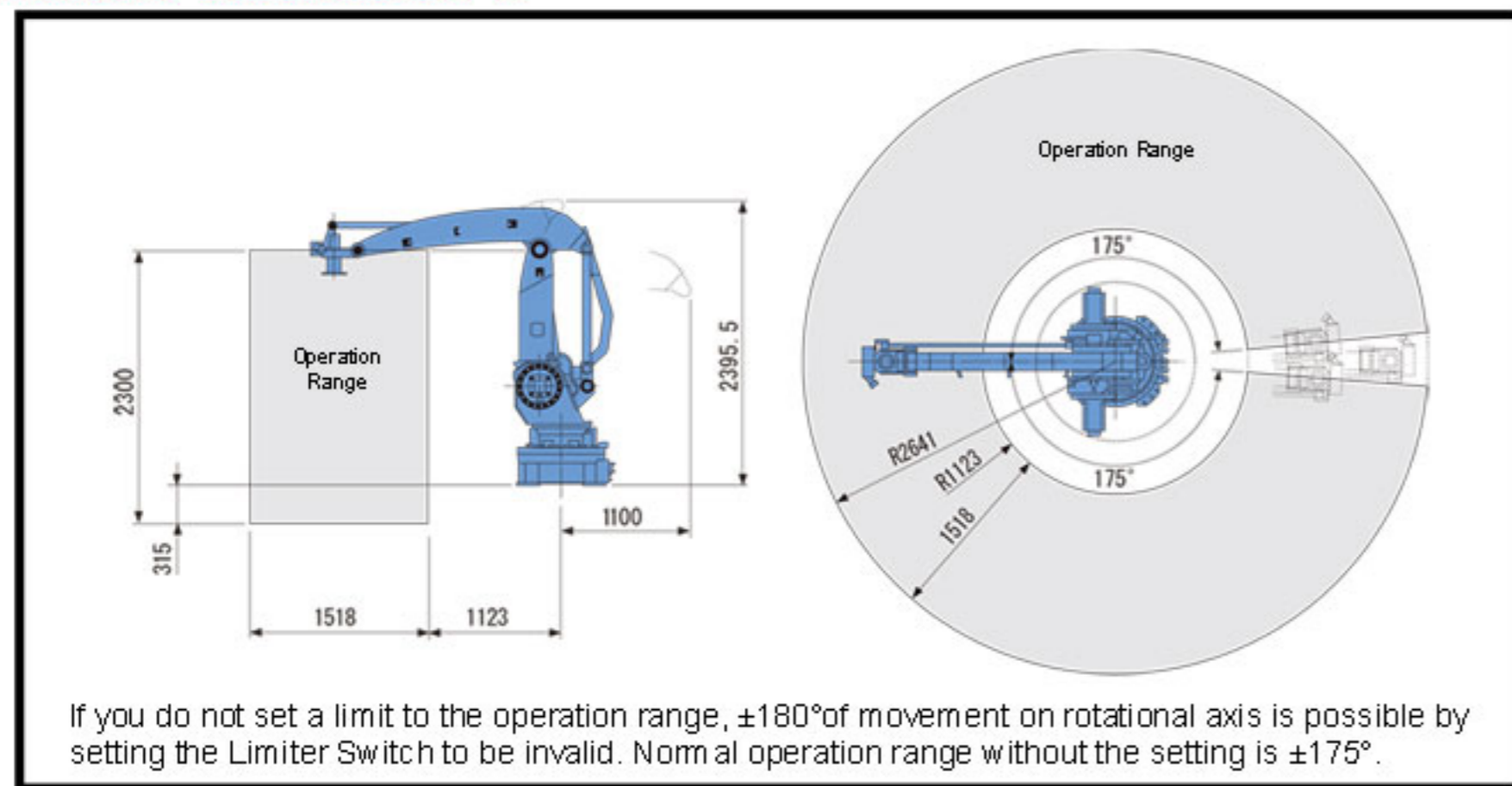


Image shown is JIS version. CE version of the control panel is also available.

## Robot Dimensions



Design & specifications of the product are subject to change without notice.

## Robot Specifications

<b>Load Capacity</b>	140 Kg (Includes weight of end effector)
<b>Operation Range</b>	4 axes (R, O, D, T axes) R axes 360°      D axes 2300 mm O axes 1518 mm      T axes 440°
<b>Palletizing Rate</b>	1800 cycles/hour Max.
<b>Accuracy</b>	Repeated stop position accuracy ±1 mm
<b>Robot Weight</b>	1160 Kg
<b>Pneumatic Consumption</b>	180 l/min (ANR)

## Japan

Okura Yusoki Co. Ltd  
900 Furuouchi Noguchi-cho Kakogawa Hyogo Japan 675-8675  
Tel: +81 794 26 1009 Fax: +81 794 26 1184  
Email: admin@okurayusoki.co.jp Website: www.okurayusoki.co.jp

## Singapore

Okura Flexible Automation Systems Pte Ltd (OFAS)  
211 Henderson Road #08-04 Henderson Industrial Park Singapore 159552  
Tel: +65 6276 1711 Fax: +65 6276 7211  
Email: sales@okura-sing.com.sg Website: www.okura.com.sg

## Malaysia

Okura Flexible Automation Systems (M) Sdn Bhd (OFAS)  
3A-D, Jalan USJ 10/1A, Pusat Perniagaan USJ 10,  
47610 UEP Subang Jaya, Selangor Darul Ehsan, Malaysia  
Tel: +60 3 8023 6381 Fax: +60 3 8023 6390  
Email: okura@tm.net.my

## China

Okura Flexible Automation Systems (Shanghai) Co., Ltd (OFAS)  
Room 1804, Yundu Hongqiao Tower, No. 930, Zhongshan (West) Rd,  
Shanghai, P.R. China, P.C. 200551  
Tel: +86 21 6275 9825 Fax: +86 21 6275 9826  
Email: admn@okura-sha.com.cn

## Europe

Okura Yusoki Co. Ltd (Europe Representative Office)  
Merwedeweg 7A 3621 LP Breukelen The Netherlands  
Tel: +31 346 252 360 Fax: +31 346 261 005  
Email: okura.yusoki@planet.nl